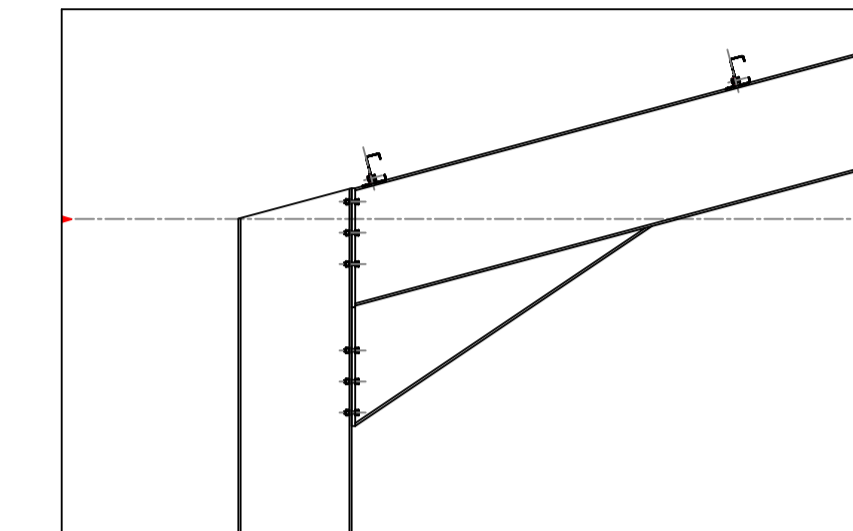
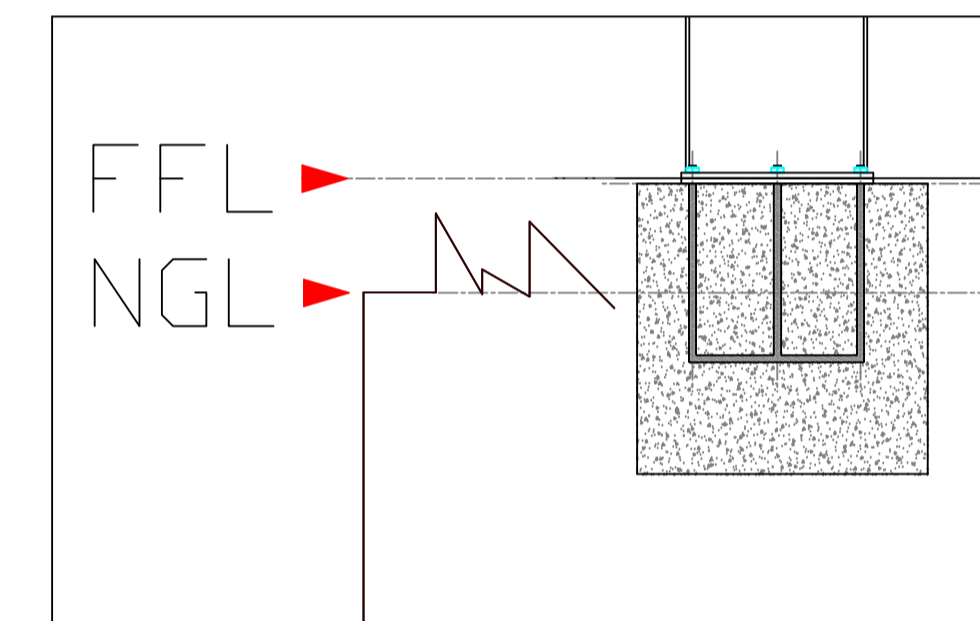


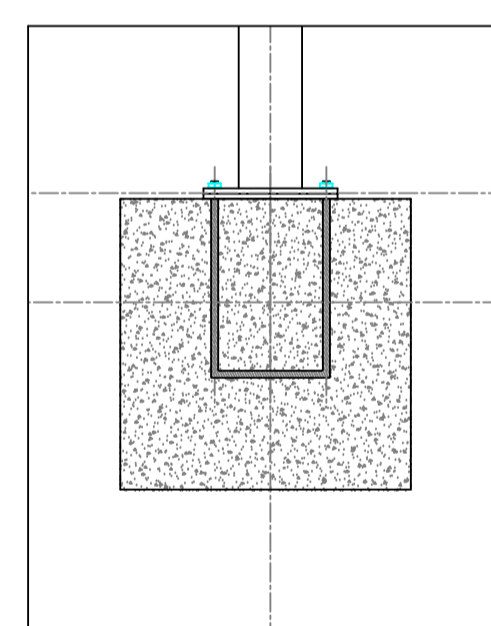
Detail : Gusset
Beam jointage



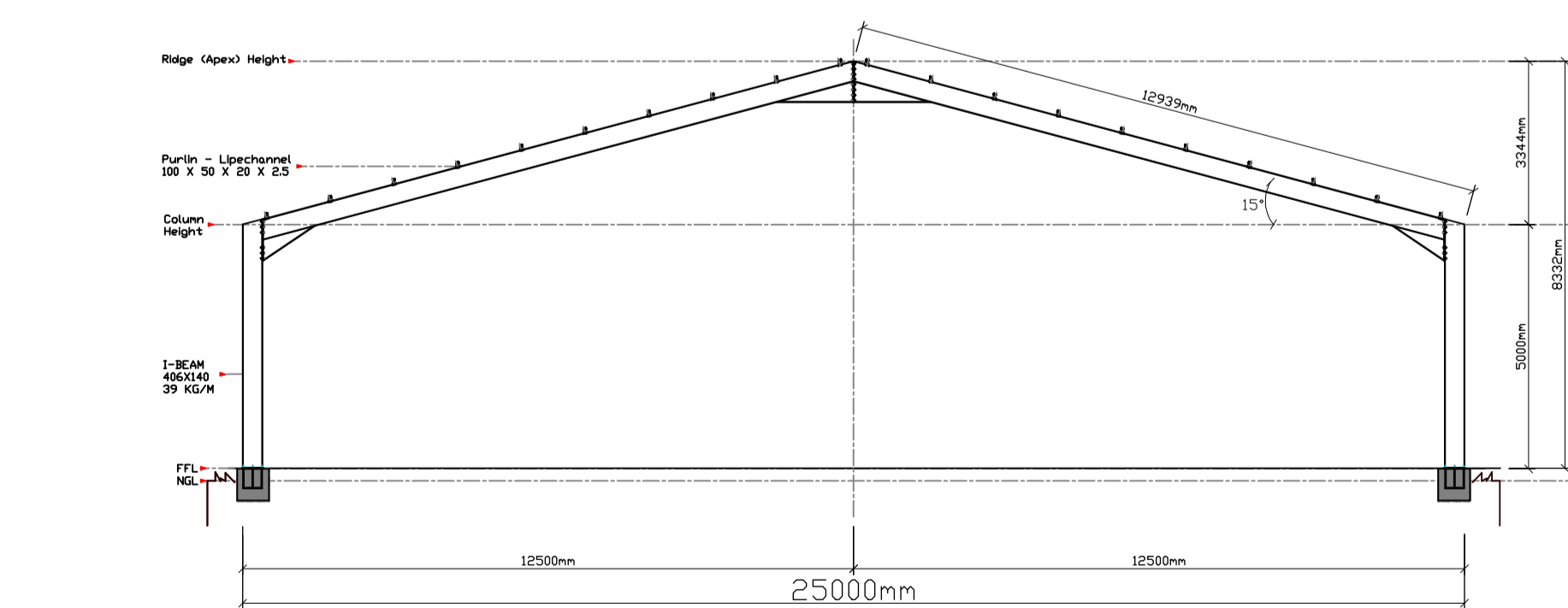
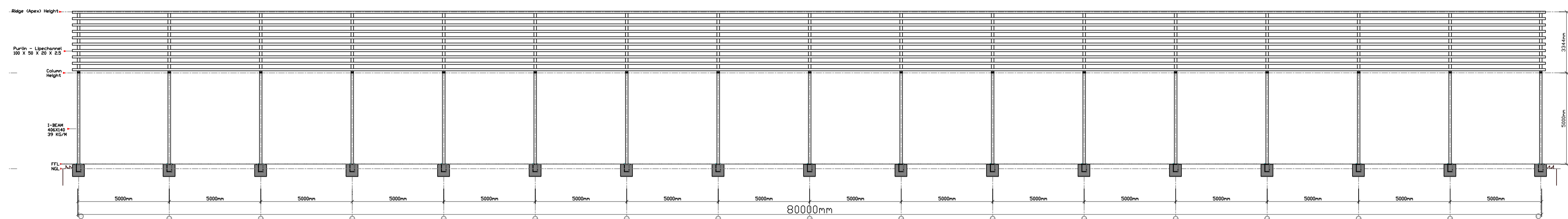
Detail : Gusset
Web - Column to Beam



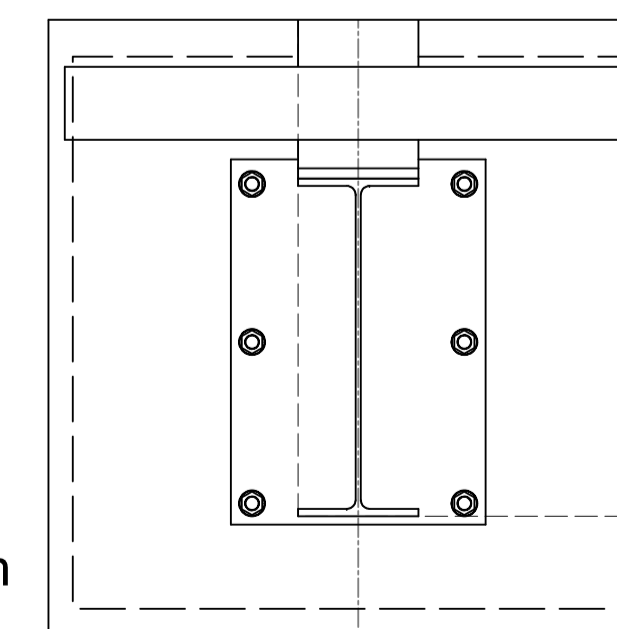
Elevation
Plynth, baseplate & starterbar



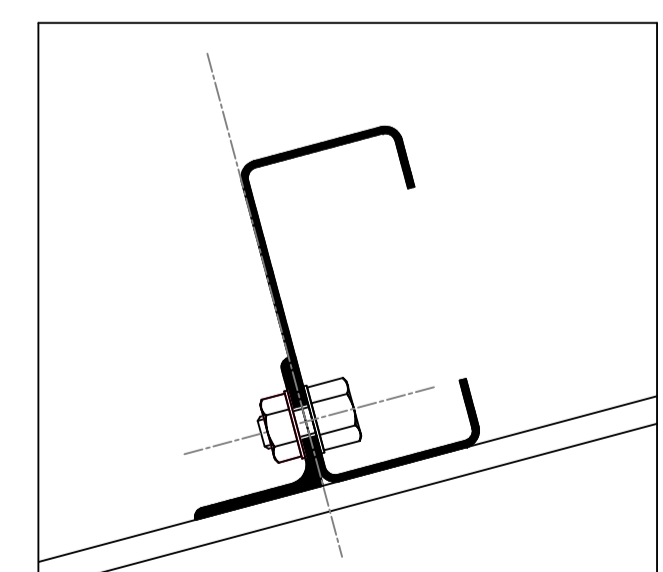
Elevation
Detail : Plynth



Baseplate & Column
- Top View



Purlin fixing Detail
L/C 100X50X20X2



Drawing :
Steel Structure
25m (W) X 80m

Purpose :
For quotation & discussion purposes

Material & Size :
Collumns : I-Beam 406X140X39kg/m
Beams : I-Beam 406X140X39kg/m

This drawing and design is copyright and must not be reproduced in part or in whole without prior written consent. Contractors must verify all dimensions on site before commencing work or preparing shop drawings.
DRAWN BY : JFG

Scael : Do Not Scale
Sales Rep : Afripanels
Date : 22 / 04 / 2013
Dwg nr / Ref : Afripanel Structure_rev1