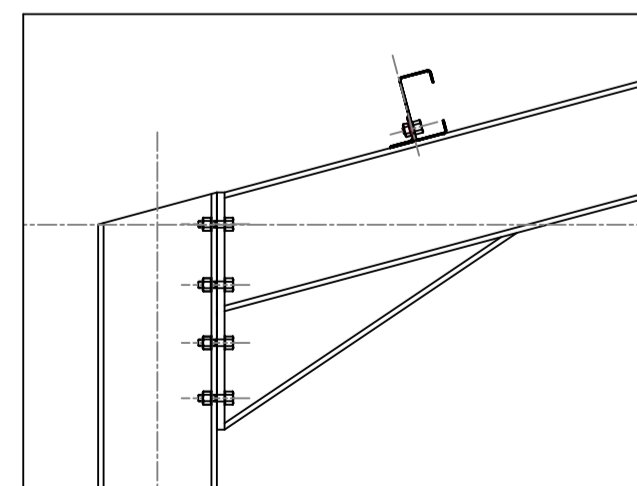
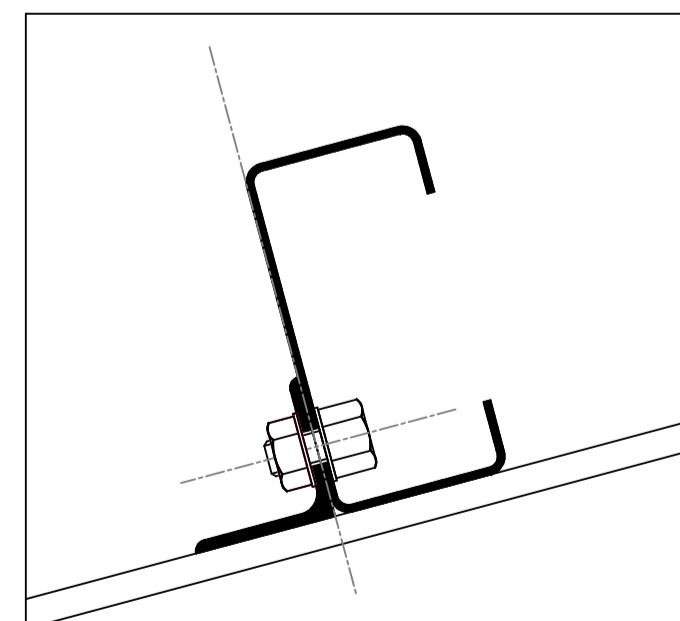


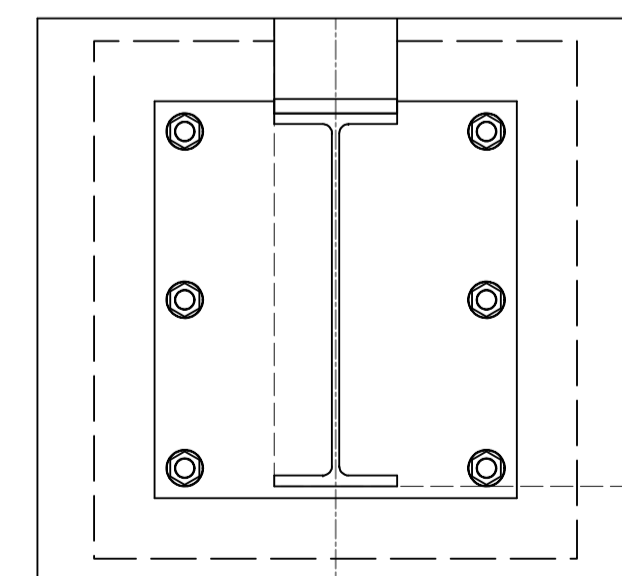
Detail : Gusset
Beam jointage



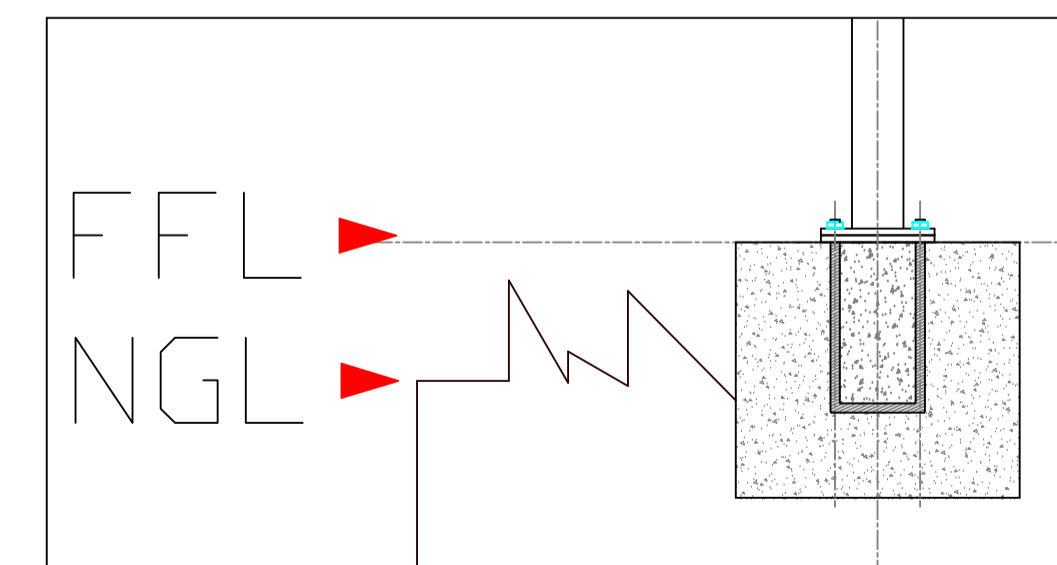
Detail : Gusset
Web - Column to Beam



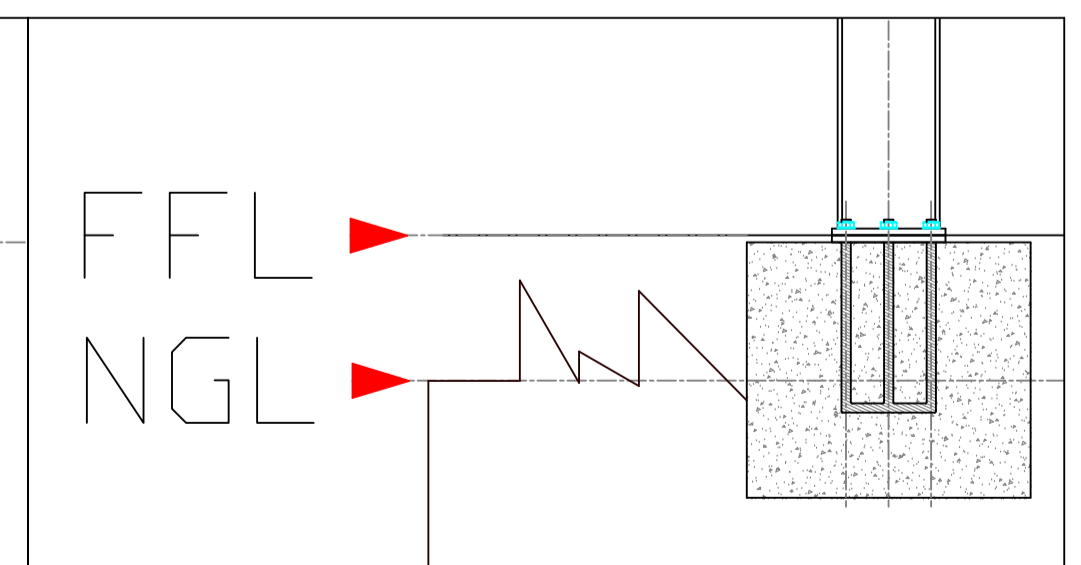
Purlin fixing Detail
L/C 100X50X20X2



Baseplate & Column
- Top View



East Elevation
Detail : Plynth



East Elevation
Plynth, baseplate & starterbar



Drawing :
Steel Structure
20m (W) X 60m

Purpose :
For quotation & discussion purposes

Material & Size :
Columns : IBeam 305X102X28,2kg/m
Beams : IBeam 305X102X28,2kg/m

This drawing and design is copyright and must not be reproduced in part or in whole without prior written consent. Contractors must verify all dimensions on site before commencing work or preparing shop drawings.

DRAWN BY : JFG

Scael : Do Not Scale
Sales Rep : Afripanel
Date : 22 / 04 / 2013
Dwg nr / Ref : Afripanel Structure_rev1