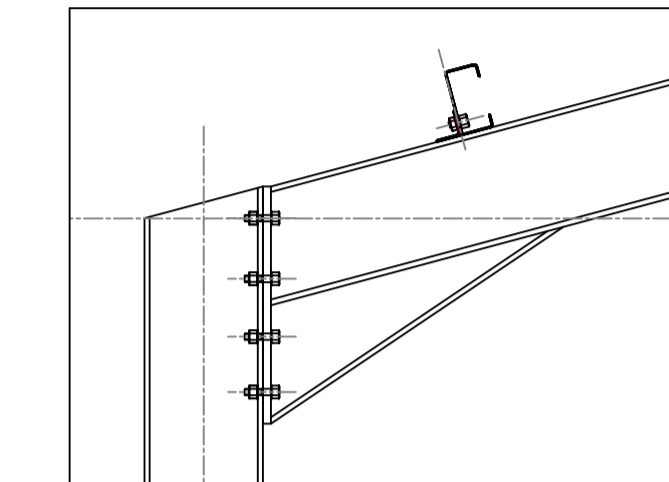
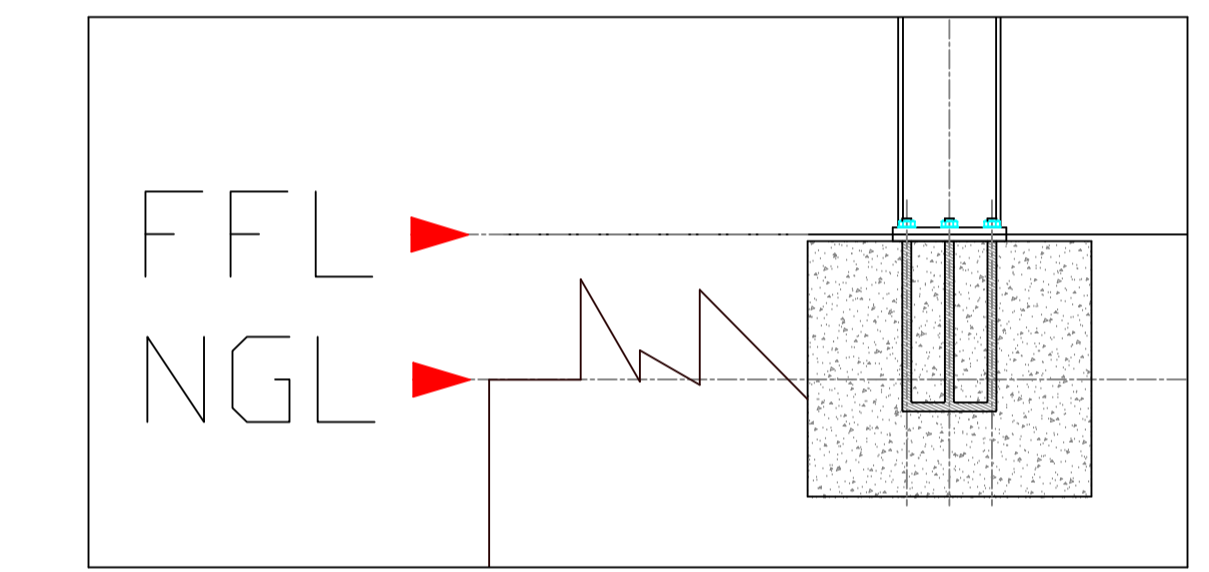
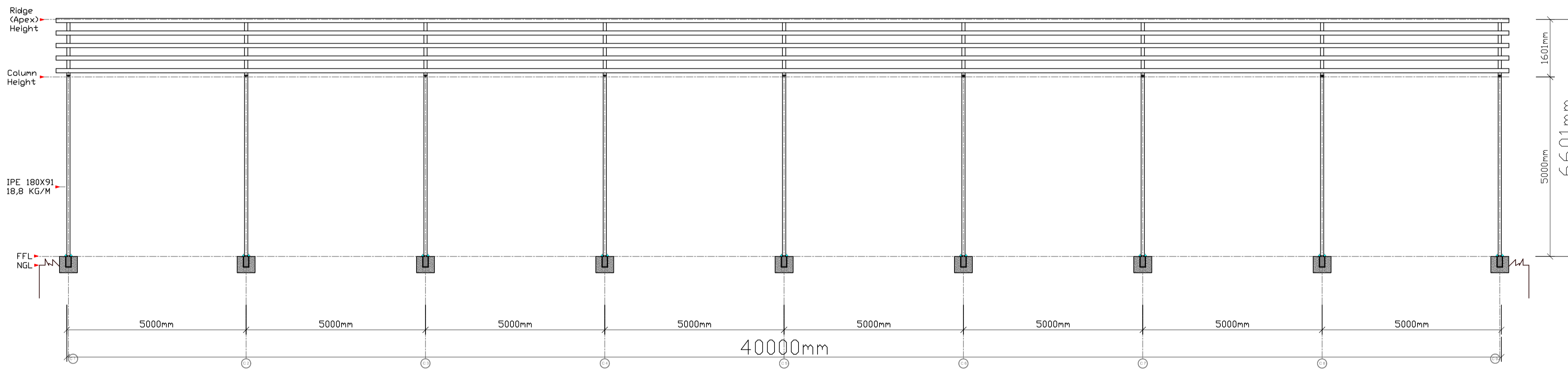


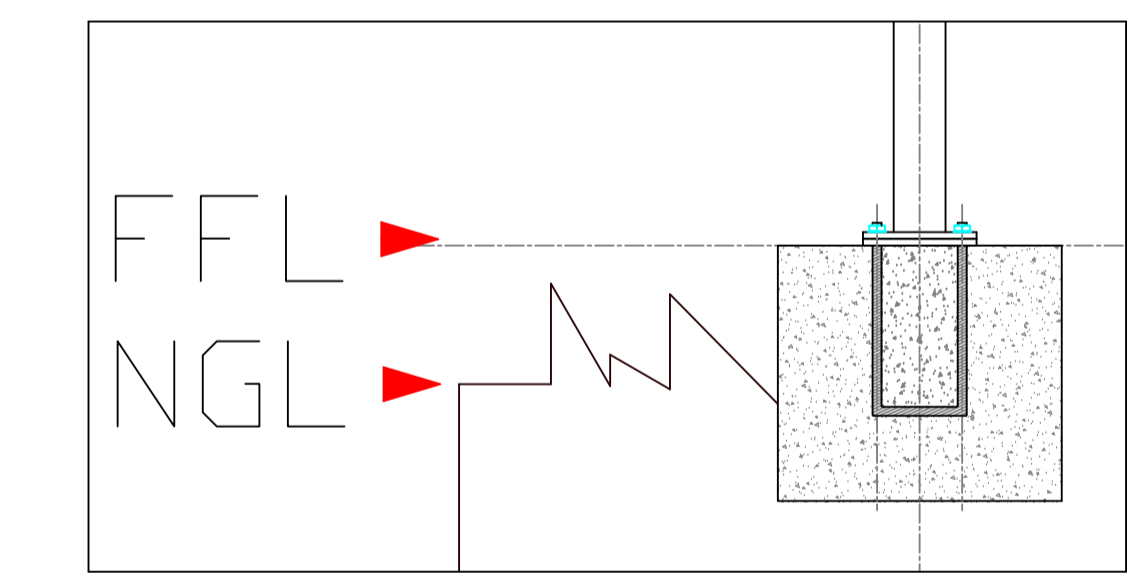
Detail : Gusset
Beam joinage



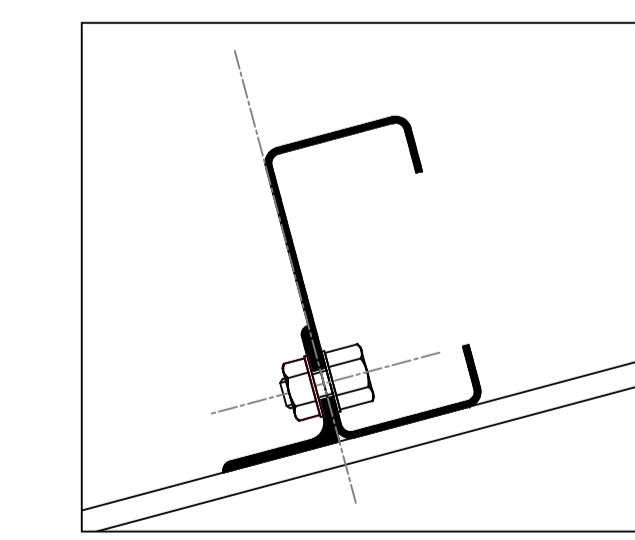
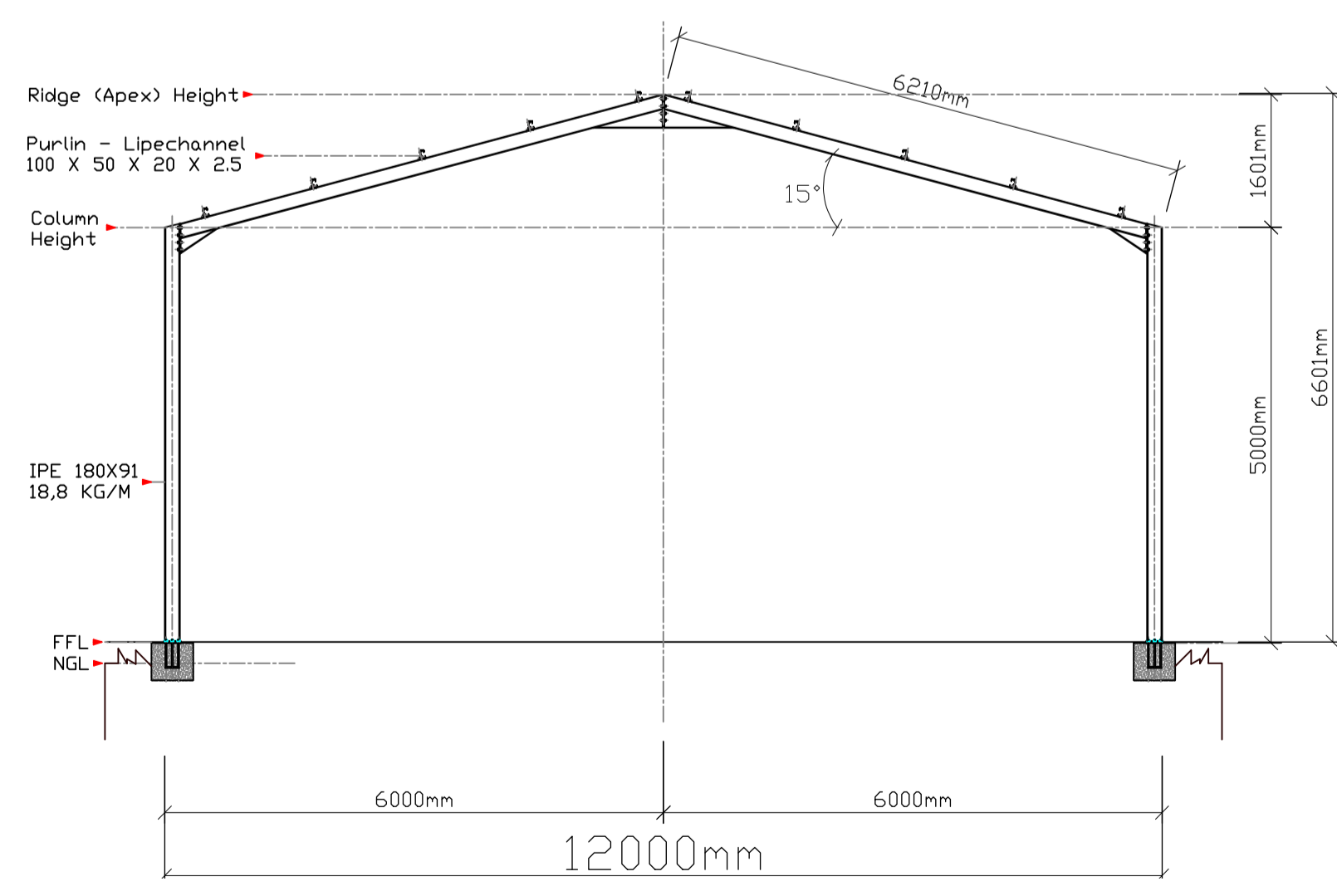
Detail : Gusset
Web - Column to Beam



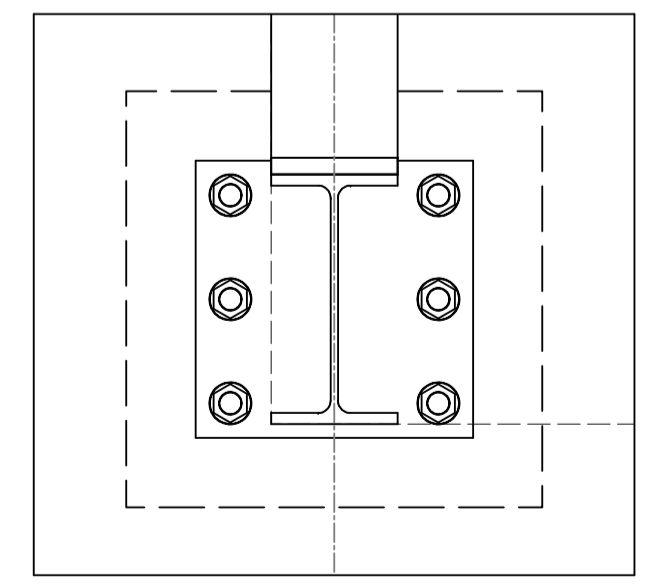
East Elevation
Plyth, baseplate & starterbar



East Elevation
Detail : Plyth



Purlin fixing Detail



Baseplate & Column
- Top View



Drawing :
Steel Structure
12m (W) X 40m

Purpose :
For quotation & discussion purposes

Material & Size :
Collumns : IPE 180X91X18,8kg/m
Beams : IPE 180X91X18,8kg/m

This drawing and design is copyright and must not be reproduced in part or in whole without prior written consent. Contractors must verify all dimensions on site before commencing work or preparing shop drawings.
DRAWN BY : JFG

Scael : Do Not Scale
Sales Rep : Afripanels
Date : 22 / 04 / 2013
Dwg nr / Ref : Afripanel Structure_rev1