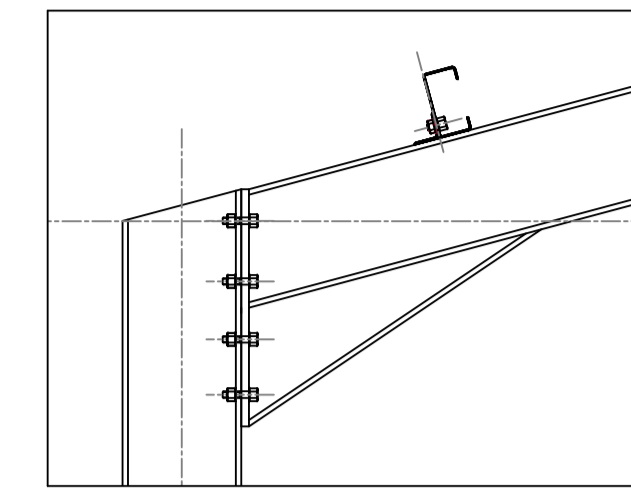
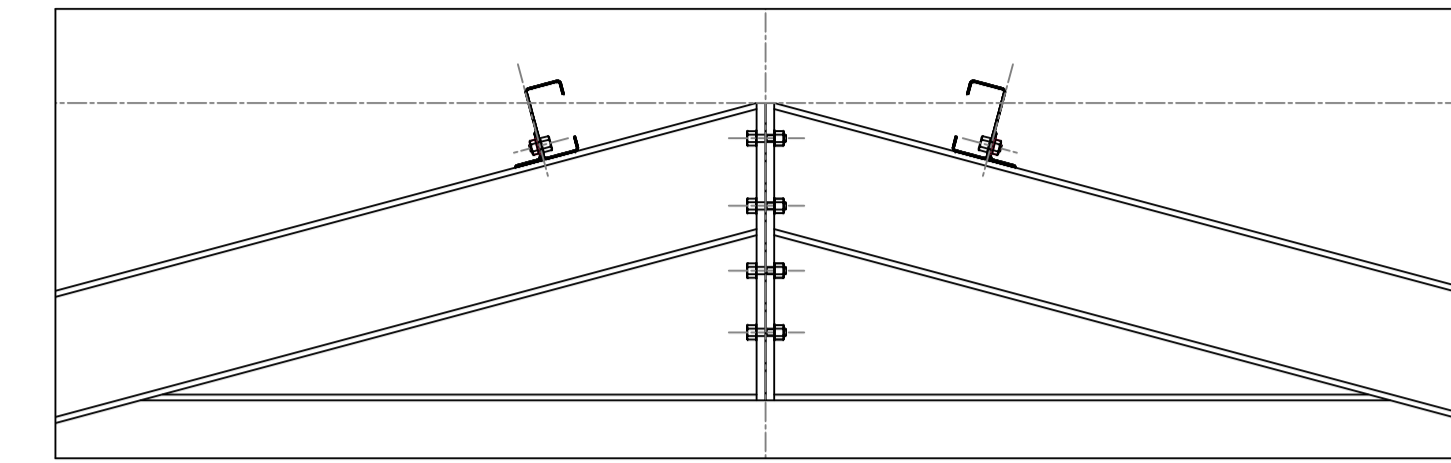


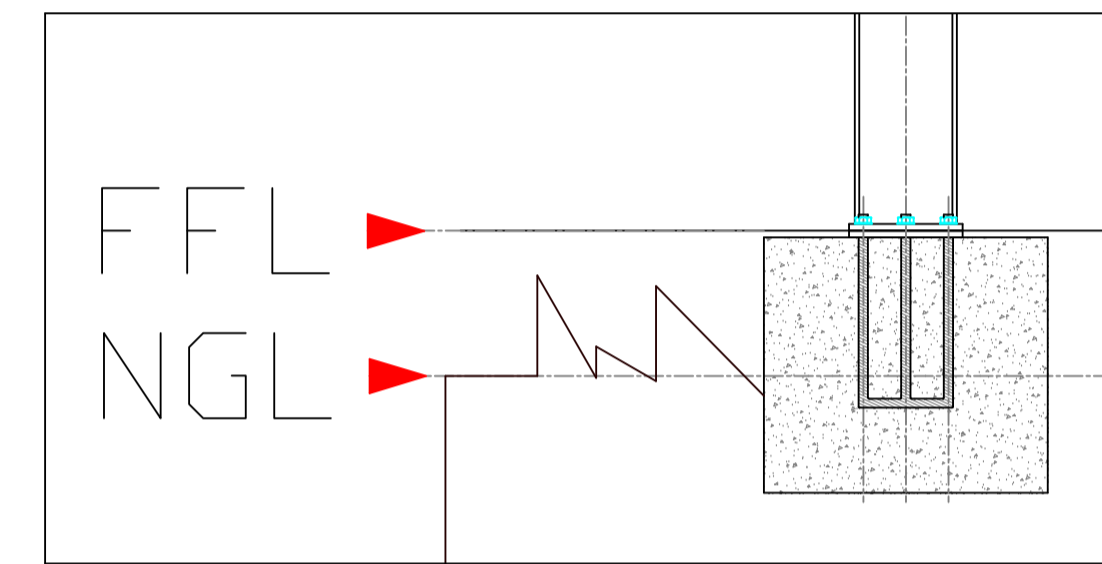
6000mm
12000mm
6000mm



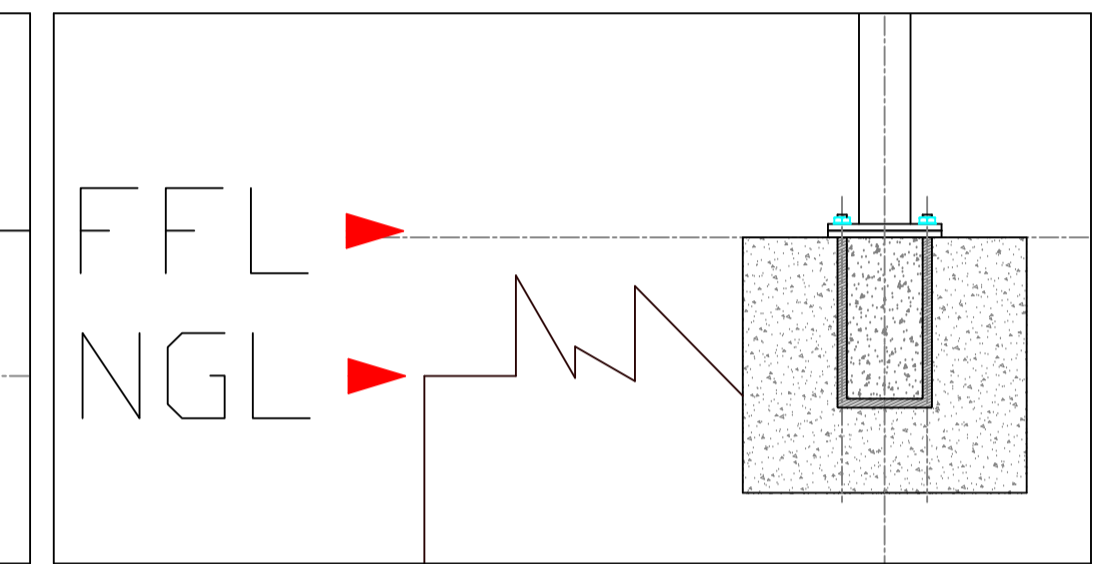
Detail : Gusset
Web - Column to Beam



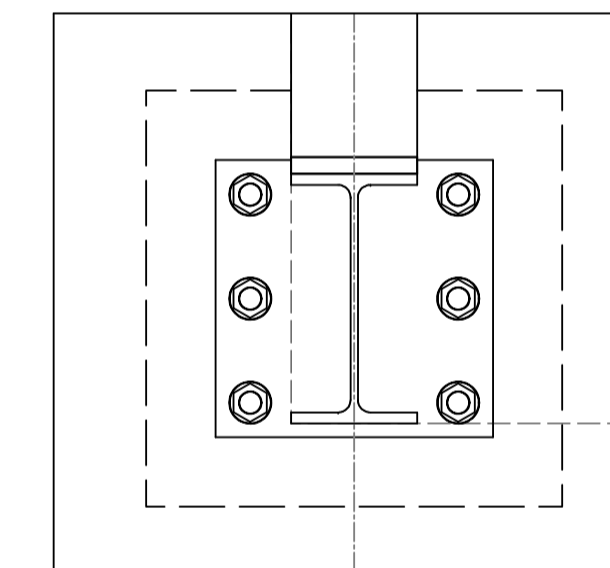
Detail : Gusset
Beam joinage



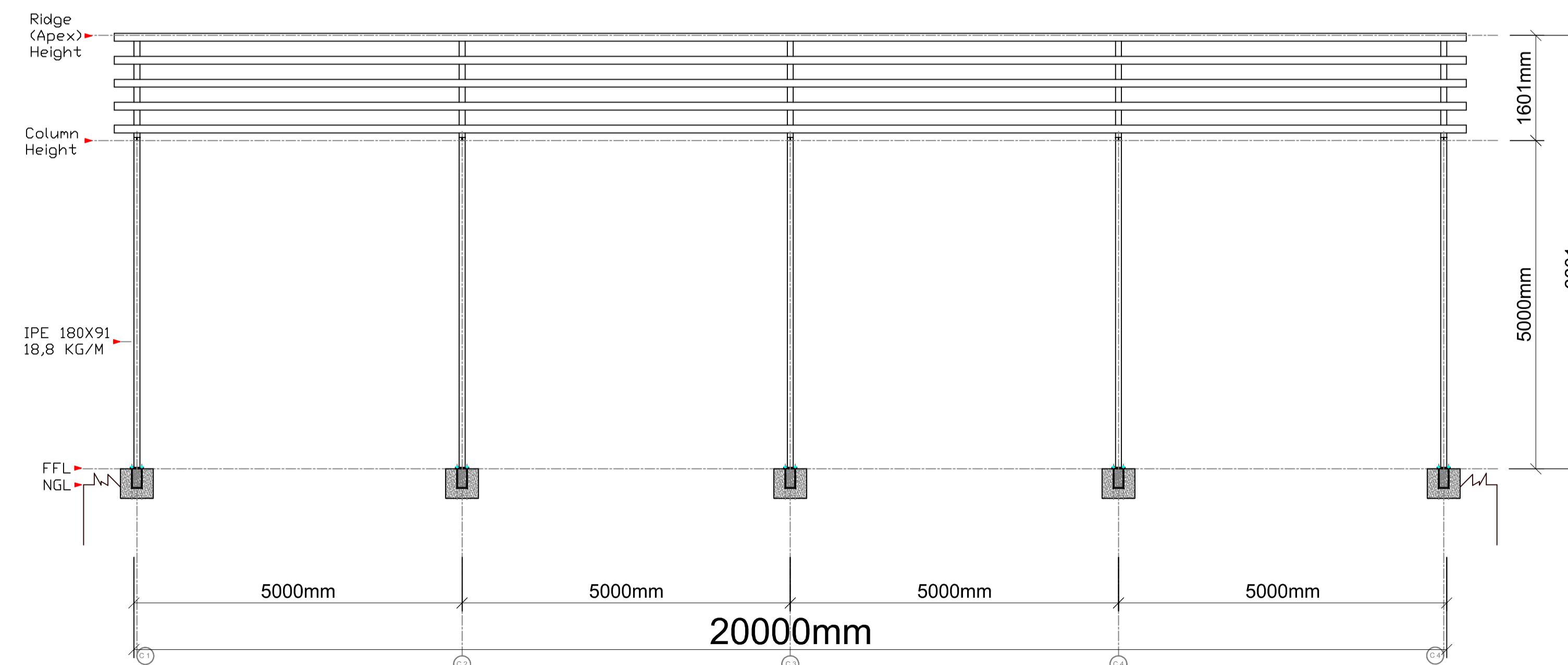
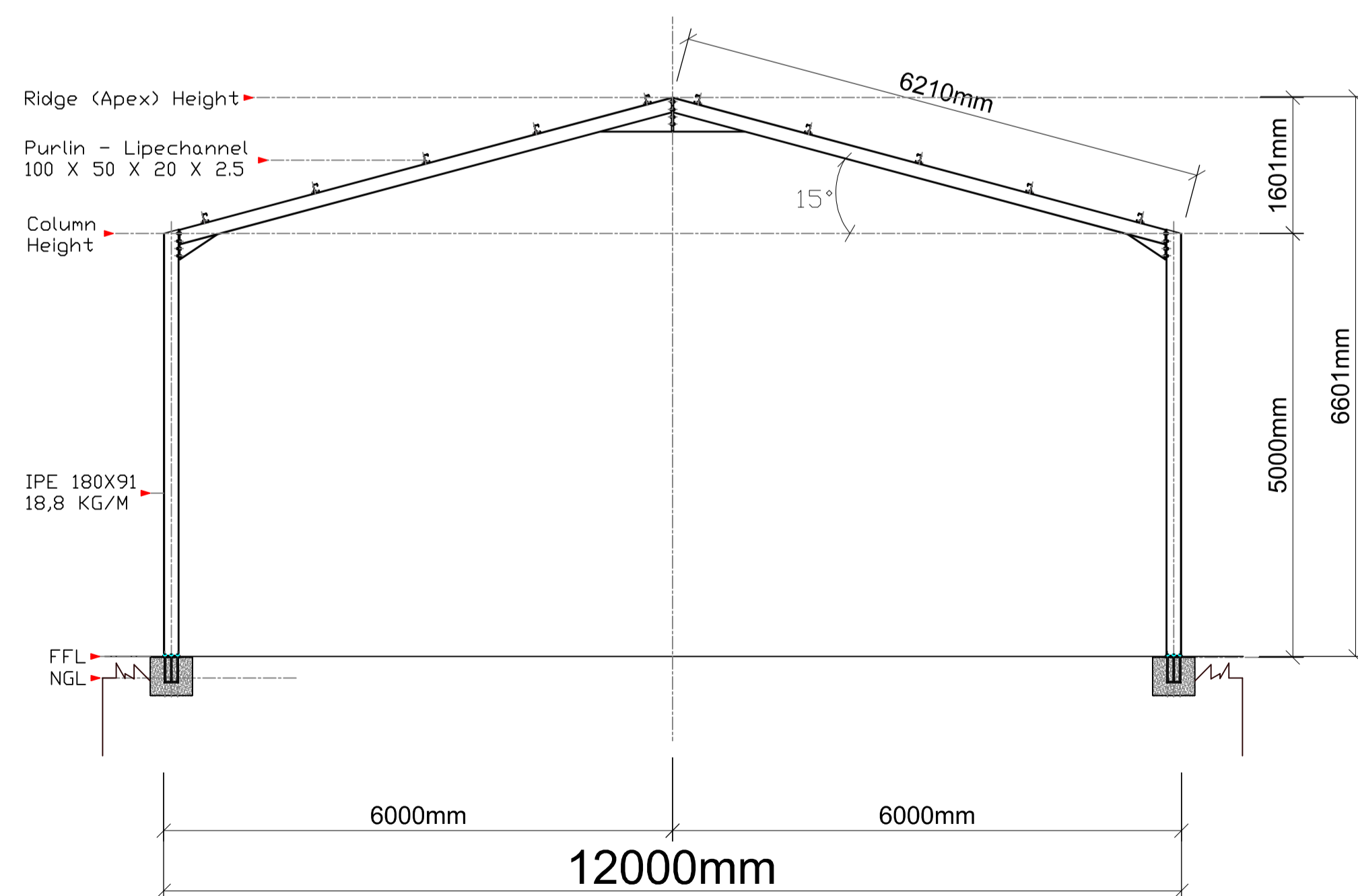
East Elevation
Plyth, baseplate & starterbar



East Elevation
Detail : Plyth



Baseplate & Column
- Top View



Drawing :
Steel Structure
12m (W) X 20m

Purpose :
For quotation & discussion purposes

Material & Size :
Collumns : IPE 180X91X18,8kg/m
Beams : IPE 180X91X18,8kg/m

This drawing and design is copyright and must not be reproduced in part or in whole without prior written consent. Contractors must verify all dimensions on site before commencing work or preparing shop drawings.
DRAWN BY : JFG

Scael : Do Not Scale
Sales Rep : Afrpanels
Date : 22 / 04 / 2013
Dwg nr / Ref : Afripanel Structure_rev1